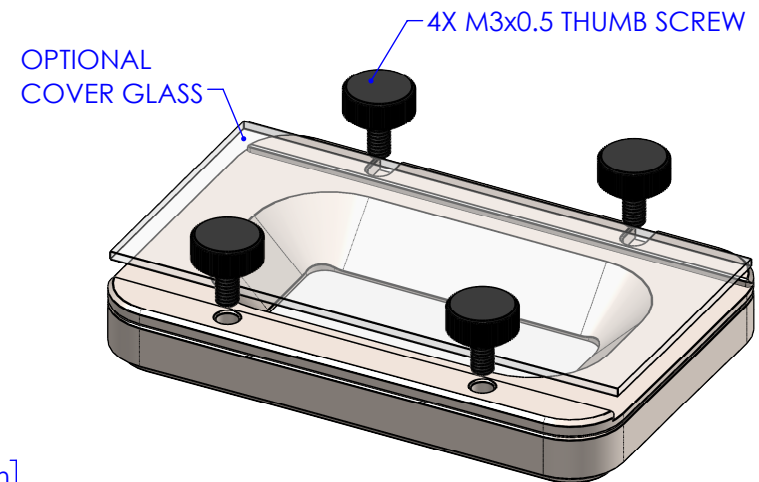
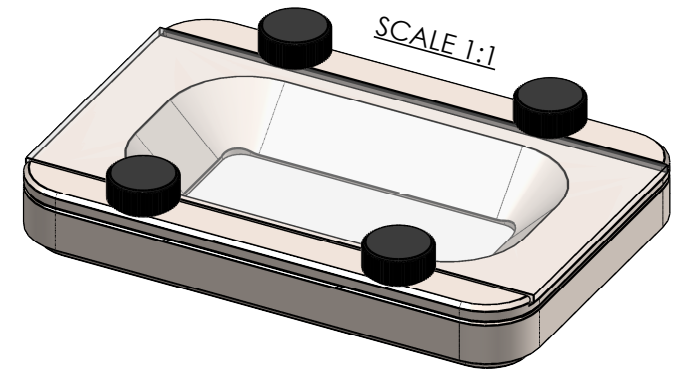
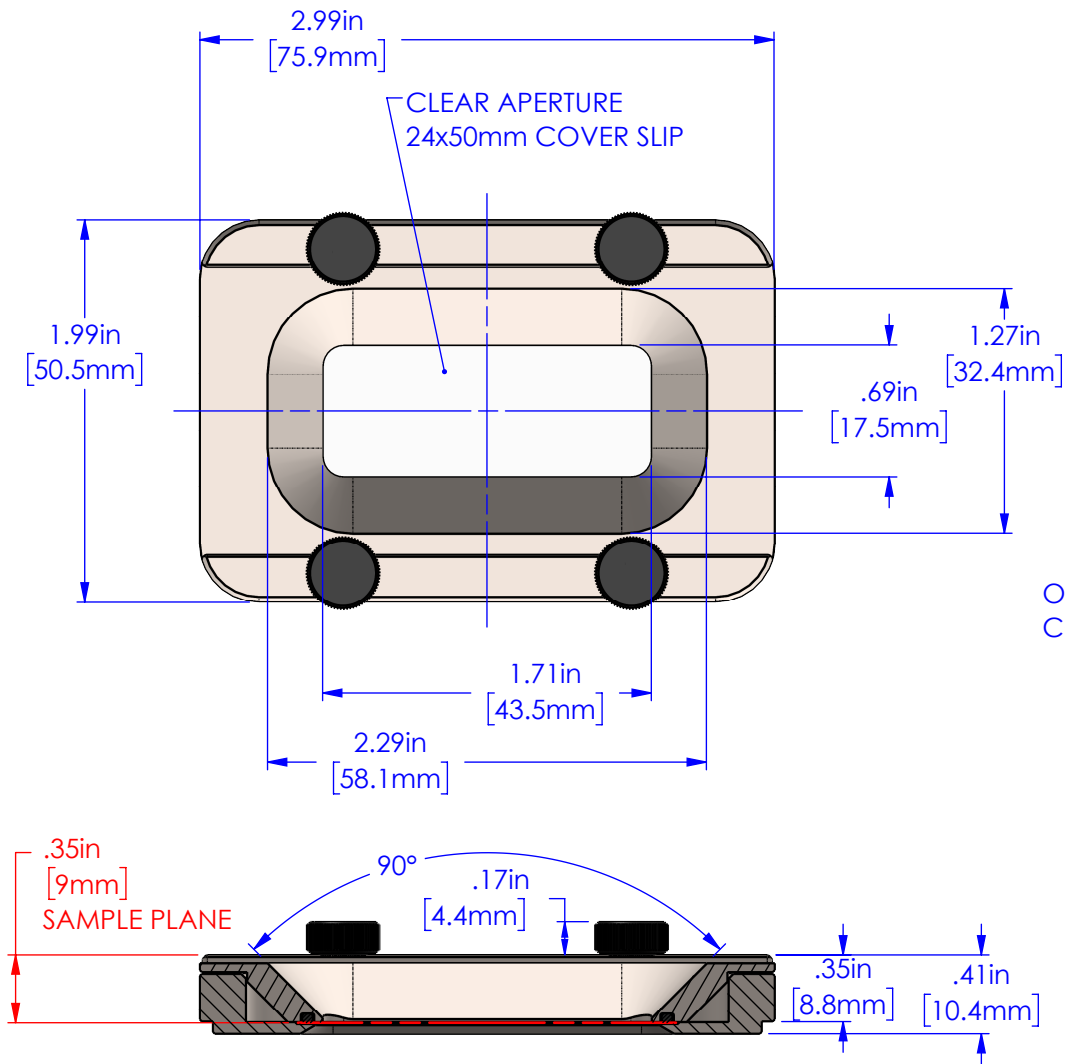


I-2450



PROPRIETARY AND CONFIDENTIAL

THE INFORMATION CONTAINED IN THIS DRAWING IS THE SOLE PROPERTY OF APPLIED SCIENTIFIC INSTRUMENTATION. ANY REPRODUCTION IN PART OR AS A WHOLE WITHOUT THE WRITTEN PERMISSION OF APPLIED SCIENTIFIC INSTRUMENTATION IS PROHIBITED.

APPLIED SCIENTIFIC INSTRUMENTATION

29391 W ENID RD
EUGENE, OR 97402-9533
PHONE: (541)461-8181
FAX: (541)461-4018

DRAWN BY/DATE

A. ARMSTRONG - 1/4/2021

CHECKED BY/DATE

V. MARSO - 1/5/2021

UNLESS OTHERWISE SPECIFIED
.xx ± .01
.xxx ± .005
.xxxx ± .0002
FRACTIONS ± 1/32
ANGLES ± 1°

DESCRIPTION

INSERT
- COVER SLIP CHAMBER
- F. 24x50mm COVER SLIP

SCALE

1:1

REV

0

MATERIAL

-

DRAWING

I-2450 - CATALOG DRAWING.SLDDRW